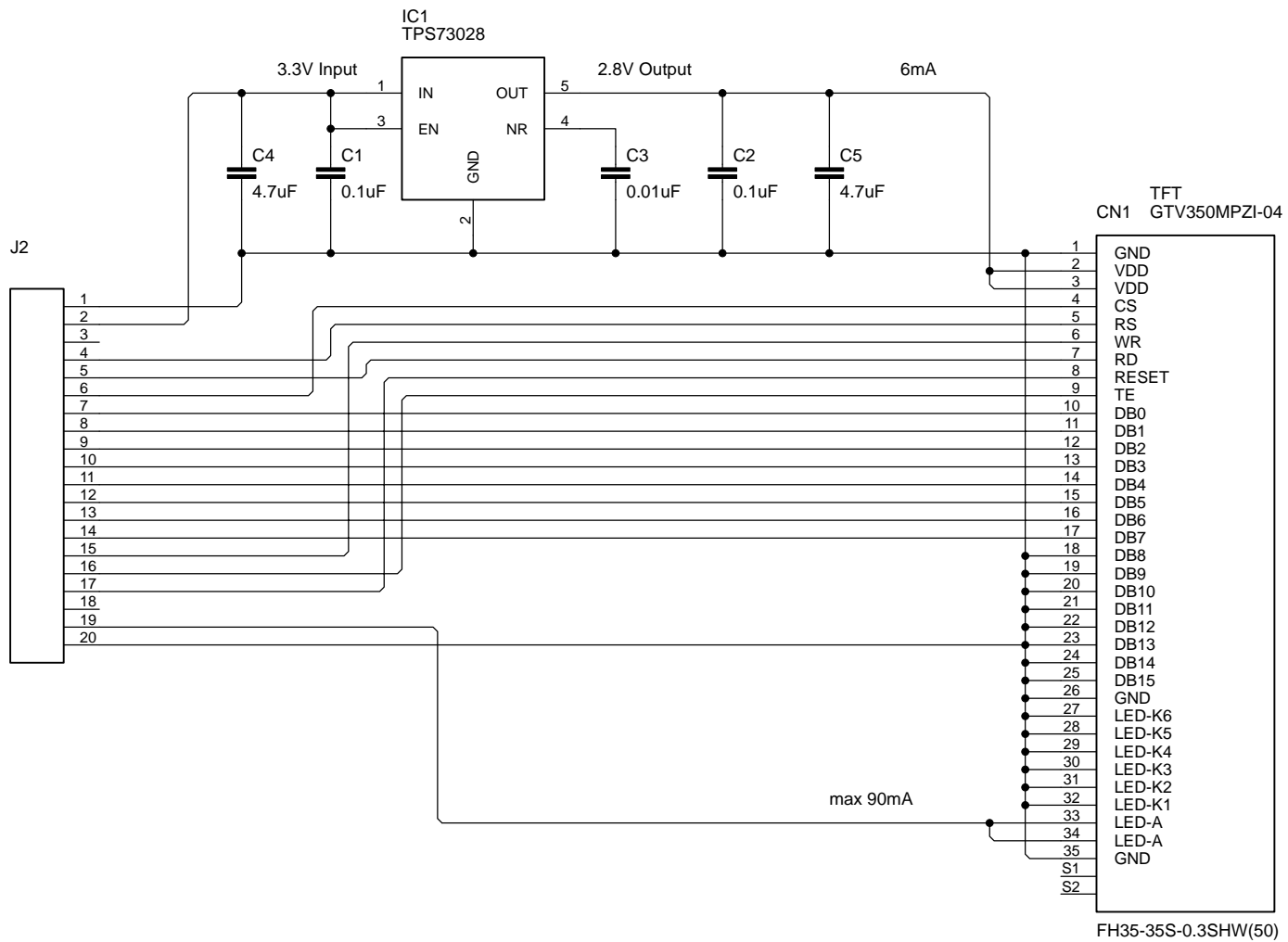


- HOLE_DRILL2.7_DIAMETER7.5_OFFSET2.5
- HOLE_DRILL2.7_DIAMETER7.5_OFFSET2.5
- HOLE_DRILL2.7_DIAMETER7.5_OFFSET2.5
- HOLE_DRILL2.7_DIAMETER7.5_OFFSET2.5



<h1>Switch I/F</h1>	
TITLE: GTU350-SW_BOARD00	
Document Number:	REU:
Date: 2010/11/24 15:19:42	Sheet: 1/2



<h1>TFT I/F</h1>	
TITLE: GTV350-SW_BOARD00	
Document Number:	REV:
Date: 2010/11/24 15:19:42	Sheet: 2/2