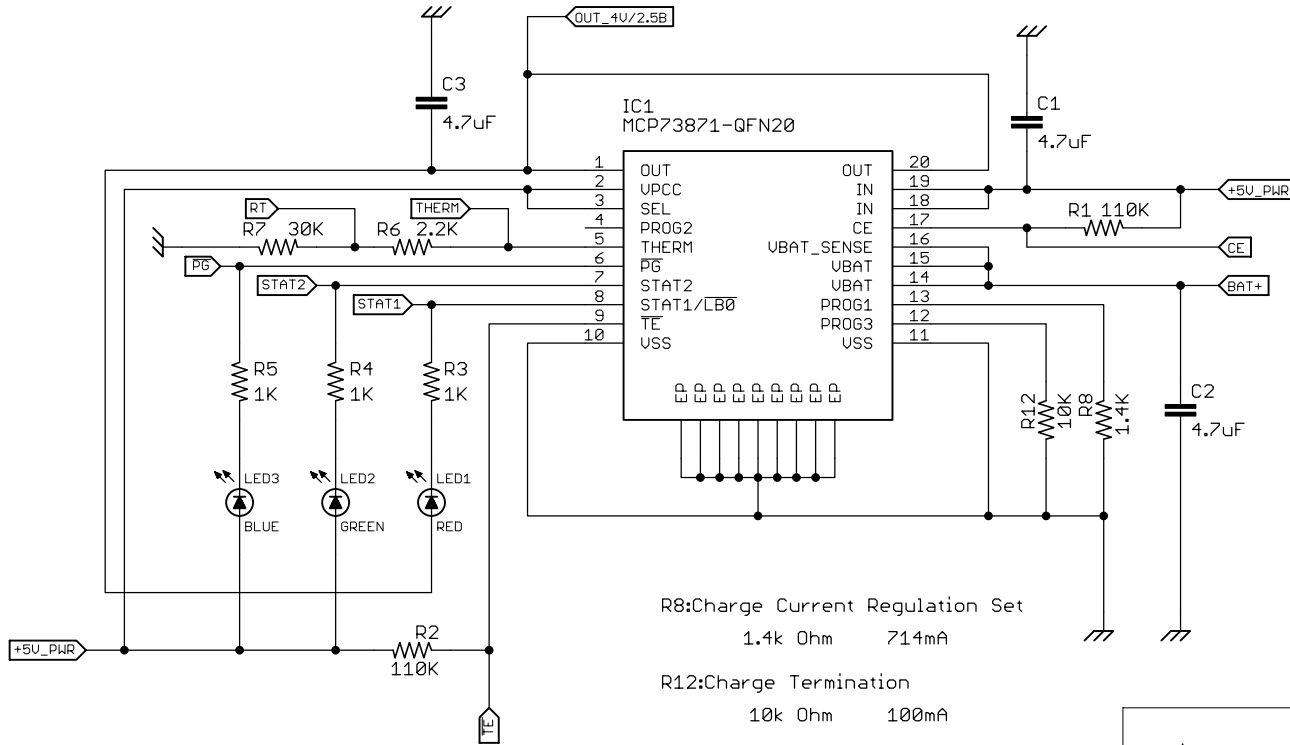


MCP73871 Charge status outputs (LED)

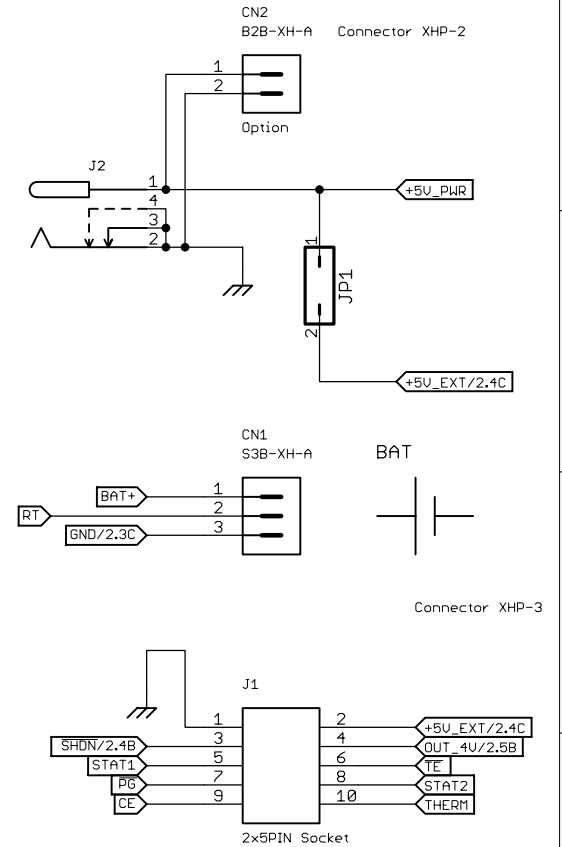
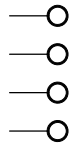
Board Status	STAT1<RED>	STAT2<GREEN>	PG<BLUE>
Shutdown	OFF	OFF	OFF
No Input Power	OFF	OFF	OFF
Charging	ON	OFF	ON
Charge Complete	OFF	ON	ON
Temp. / Timer Fault	ON	ON	ON
(Low Battery Ind. *Opt.)	ON	OFF	OFF
No Battery Present	OFF	OFF	ON



R8:Charge Current Regulation Set
1.4k Ohm 714mA

R12:Charge Termination
10k Ohm 100mA

Hole Drill 2.7 Diameter 7.5 Offset 2.5



Li-Ion / Li-Polymer Battery Charge Board

TITLE: LPBAT_CHARGE_BOARD01A

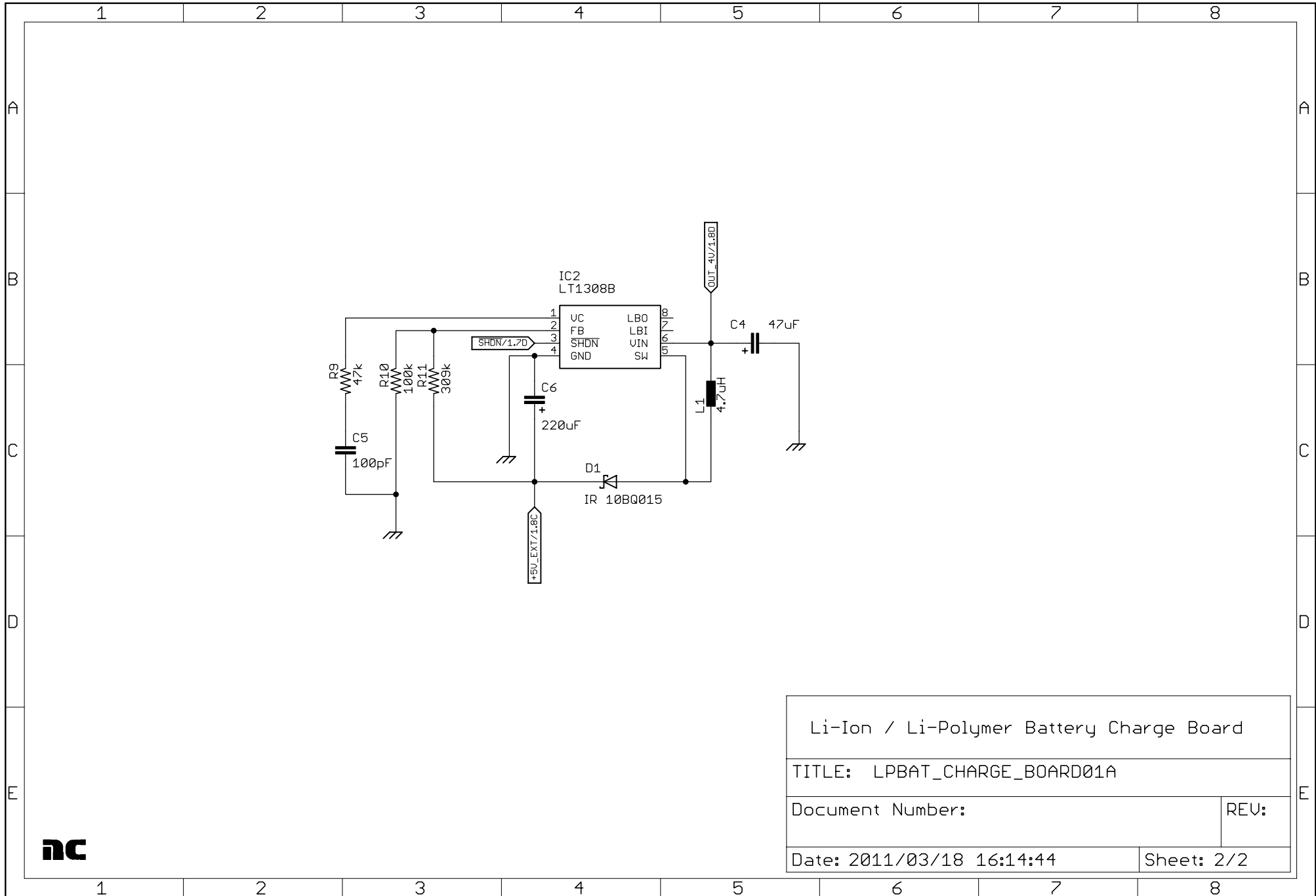
Document Number:

REV:

Date: 2011/03/18 16:14:44

Sheet: 1/2





Li-Ion / Li-Polymer Battery Charge Board	
TITLE: LPBAT_CHARGE_BOARD01A	
Document Number:	REV:
Date: 2011/03/18 16:14:44	Sheet: 2/2

